

## 30mL Media Bottle

### Description

30 mL, PETG, Squared media bottle, Sterile

### Purpose

Suitable for storing and transporting liquid culture medium, buffer and serum

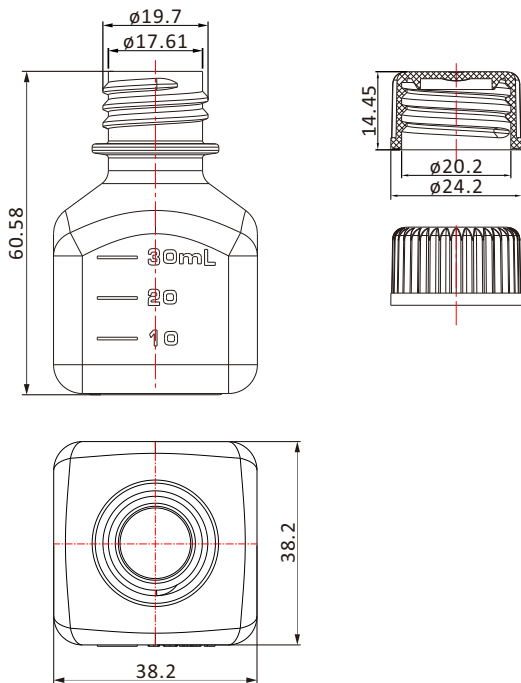
### Materials

Flask: PETG (Polyethylene Terephthalate Glycol)

Cap: HDPE (High-density Polyethylene)      Color: Natural

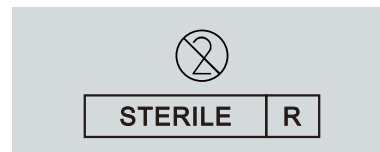


### Dimensions (Unit: mm)



### Features

- Temperature range: -40°C to +60°C
- Space saving square design
- Crystal-clear PETG bottles are shatter-resistant
- Excellent gas barrier properties
- Transparency and reduced permeability to CO<sub>2</sub> and O<sub>2</sub>
- Molded in graduations for accuracy
- DNase/RNase free and non-pyrogenic
- Sterilized by irradiation SAL 10<sup>-6</sup> (ISO11137)
- Shelf Life: 3 years after month of production
- Manufactured in a class 100,000 clean room environment
- Manufactured under ISO13485 and ISO9001 quality management system



## 30mL Media Bottle

Cat. No.	Capacity	Flask Material	Cap Color	Sterilization	Packaging Configuration
SSB010030	30 mL	PETG	Natural	Yes	24/tray/bag, 96/case

## 60mL Media Bottle

### Description

60 mL, PETG, Squared media bottle, Sterile

### Purpose

Suitable for storing and transporting liquid culture medium, buffer and serum

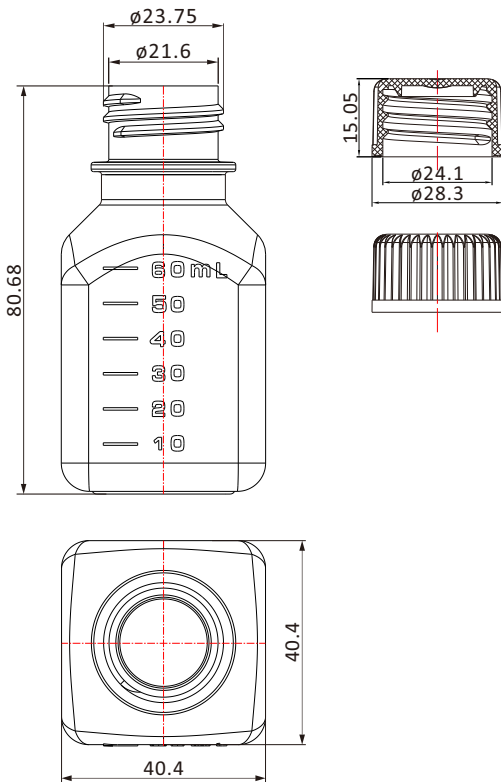
### Materials

Flask: PETG (Polyethylene Terephthalate Glycol)

Cap: HDPE (High-density Polyethylene)      Color: Natural



### Dimensions (Unit: mm)



### Features

- Temperature range: -40°C to +60°C
- Space saving square design
- Crystal-clear PETG bottles are shatter-resistant
- Excellent gas barrier properties
- Transparency and reduced permeability to CO<sub>2</sub> and O<sub>2</sub>
- Molded in graduations for accuracy
- DNase/RNase free and non-pyrogenic
- Sterilized by irradiation SAL 10<sup>-6</sup> (ISO11137)
- Shelf Life: 3 years after month of production
- Manufactured in a class 100,000 clean room environment
- Manufactured under ISO13485 and ISO9001 quality management system



## 60mL Media Bottle

Cat. No.	Capacity	Flask Material	Cap Color	Sterilization	Packaging Configuration
SSB010060	60 mL	PETG	Natural	Yes	24/tray/bag, 96/case

## 125mL Media Bottle

### Description

125 mL, PETG, Squared media bottle, Sterile

### Purpose

Suitable for storing and transporting liquid culture medium, buffer and serum

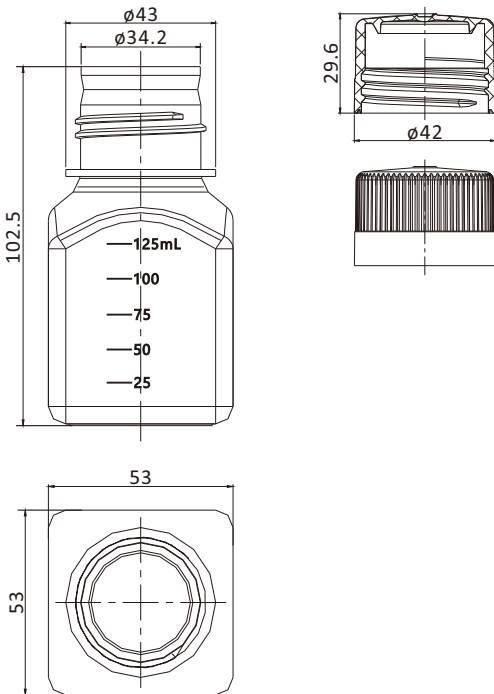
### Materials

Flask: PETG (Polyethylene Terephthalate Glycol)

Cap: HDPE (High-density Polyethylene)      Color: Natural



### Dimensions (Unit: mm)



### Features

- Temperature range: -40°C to +60°C
- Space saving square design
- Crystal-clear PETG bottles are shatter-resistant
- Excellent gas barrier properties
- Transparency and reduced permeability to CO<sub>2</sub> and O<sub>2</sub>
- Molded in graduations for accuracy
- DNase/RNase free and non-pyrogenic
- Sterilized by irradiation SAL 10<sup>-6</sup> (ISO11137)
- Shelf Life: 3 years after month of production
- Manufactured in a class 100,000 clean room environment
- Manufactured under ISO13485 and ISO9001 quality management system



## 125mL Media Bottle

Cat. No.	Capacity	Flask Material	Cap Color	Sterilization	Packaging Configuration
SSB010125	125 mL	PETG	Natural	Yes	24/tray/bag, 96/case

## 250mL Media Bottle

### Description

250 mL, PETG, Squared media bottle, Sterile

### Purpose

Suitable for storing and transporting liquid culture medium, buffer and serum

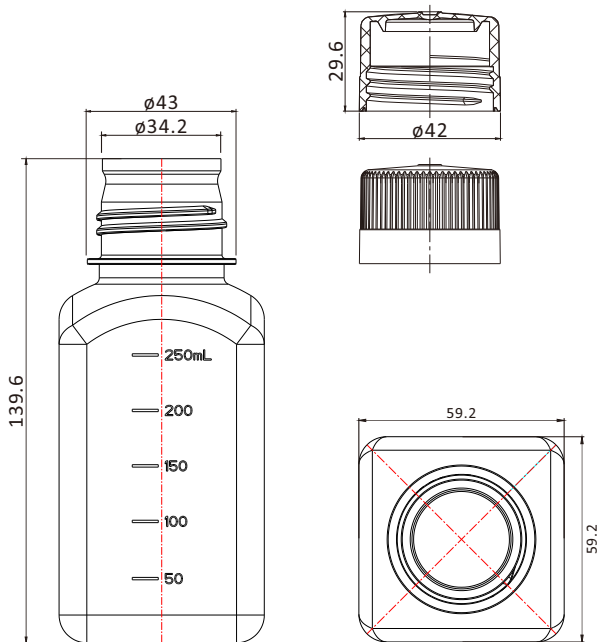
### Materials

Flask: PETG (Polyethylene Terephthalate Glycol)

Cap: HDPE (High-density Polyethylene)      Color: Natural



### Dimensions (Unit: mm)



### Features

- Temperature range: -40°C to +60°C
- Space saving square design
- Crystal-clear PETG bottles are shatter-resistant
- Excellent gas barrier properties
- Transparency and reduced permeability to CO<sub>2</sub> and O<sub>2</sub>
- Molded in graduations for accuracy
- DNase/RNase free and non-pyrogenic
- Sterilized by irradiation SAL 10<sup>-6</sup> (ISO11137)
- Shelf Life: 3 years after month of production
- Manufactured in a class 100,000 clean room environment
- Manufactured under ISO13485 and ISO9001 quality management system



## 250mL Media Bottle

Cat. No.	Capacity	Flask Material	Cap Color	Sterilization	Packaging Configuration
SSB010250	250 mL	PETG	Natural	Yes	24/tray/bag, 96/case

## 500mL Media Bottle

### Description

500 mL, PETG, Squared media bottle, Sterile

### Purpose

Suitable for storing and transporting liquid culture medium, buffer and serum

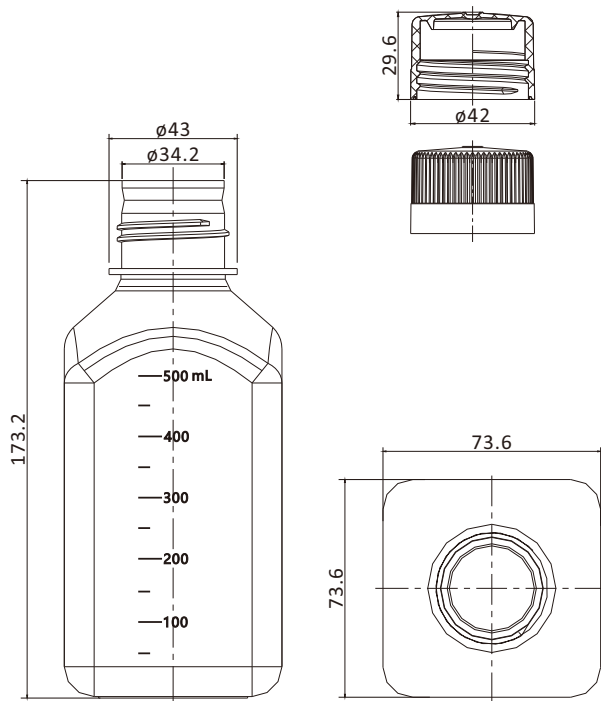
### Materials

Flask: PETG (Polyethylene Terephthalate Glycol)

Cap: HDPE (High-density Polyethylene)      Color: Natural



### Dimensions (Unit: mm)



### Features

- Temperature range: -40°C to +60°C
- Space saving square design
- Crystal-clear PETG bottles are shatter-resistant
- Excellent gas barrier properties
- Transparency and reduced permeability to CO<sub>2</sub> and O<sub>2</sub>
- Molded in graduations for accuracy
- DNase/RNase free and non-pyrogenic
- Sterilized by irradiation SAL 10<sup>-6</sup> (ISO11137)
- Shelf Life: 3 years after month of production
- Manufactured in a class 100,000 clean room environment
- Manufactured under ISO13485 and ISO9001 quality management system



## 500mL Media Bottle

Cat. No.	Capacity	Flask Material	Cap Color	Sterilization	Packaging Configuration
SSB130500	500 mL	PETG	Natural	Yes	24/tray/bag, 48/case

## 1000mL Media Bottle

### Description

1000 mL, PETG, Squared media bottle, Sterile

### Purpose

Suitable for storing and transporting liquid culture medium, buffer and serum

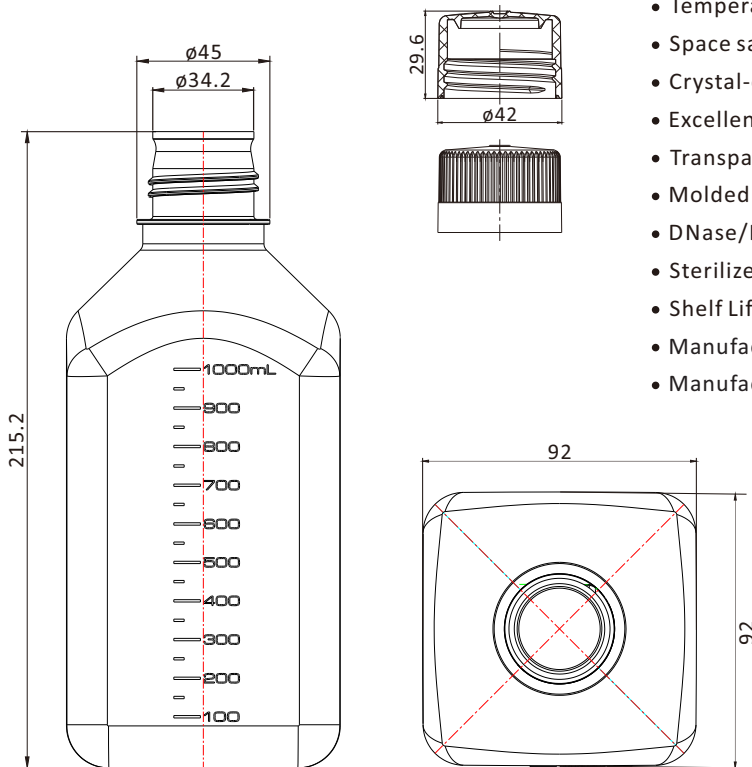
### Materials

Flask: PETG (Polyethylene Terephthalate Glycol)

Cap: HDPE (High-density Polyethylene)      Color: Natural



### Dimensions (Unit: mm)



### Features

- Temperature range: -40°C to +60°C
- Space saving square design
- Crystal-clear PETG bottles are shatter-resistant
- Excellent gas barrier properties
- Transparency and reduced permeability to CO<sub>2</sub> and O<sub>2</sub>
- Molded in graduations for accuracy
- DNase/RNase free and non-pyrogenic
- Sterilized by irradiation SAL 10<sup>-6</sup> (ISO11137)
- Shelf Life: 3 years after month of production
- Manufactured in a class 100,000 clean room environment
- Manufactured under ISO13485 and ISO9001 quality management system



## 1000mL Media Bottle

Cat. No.	Capacity	Flask Material	Cap Color	Sterilization	Packaging Configuration
SSB010000	1000 mL	PETG	Natural	Yes	24/tray/bag, 24/case

## 2000mL Media Bottle

### Description

2000 mL, PETG, Squared media bottle, Sterile

### Purpose

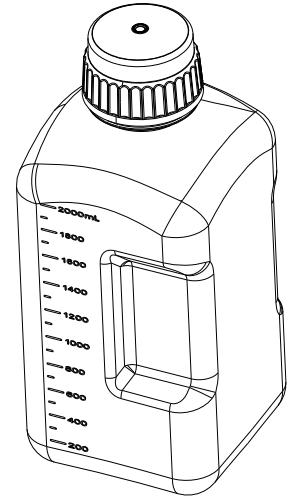
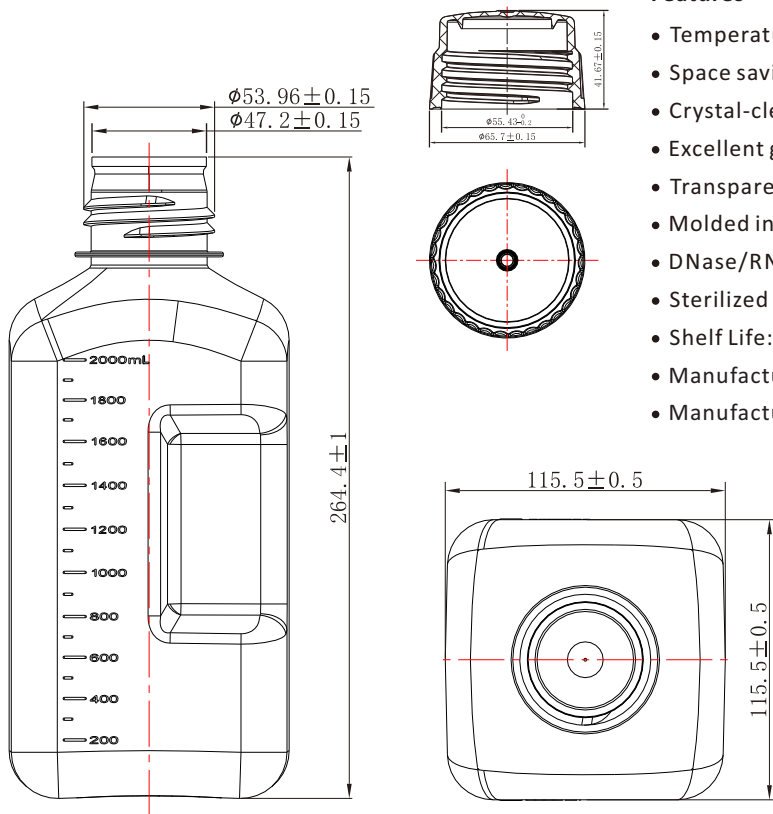
Suitable for storing and transporting liquid culture medium, buffer and serum

### Materials

Flask: PETG (Polyethylene Terephthalate Glycol)

Cap: HDPE (High-density Polyethylene)      Color: Natural

### Dimensions (Unit: mm)



### Features

- Temperature range:  $-40^{\circ}\text{C}$  to  $+60^{\circ}\text{C}$
- Space saving square design
- Crystal-clear PETG bottles are shatter-resistant
- Excellent gas barrier properties
- Transparency and reduced permeability to  $\text{CO}_2$  and  $\text{O}_2$
- Molded in graduations for accuracy
- DNase/RNase free and non-pyrogenic
- Sterilized by irradiation SAL  $10^{-6}$  (ISO11137)
- Shelf Life: 3 years after month of production
- Manufactured in a class 100,000 clean room environment
- Manufactured under ISO13485 and ISO9001 quality management system



## 2000mL Media Bottle

Cat. No.	Capacity	Flask Material	Cap Color	Sterilization	Packaging Configuration
SSB010002	2000 mL	PETG	Natural	Yes	6/tray/bag, 12/case